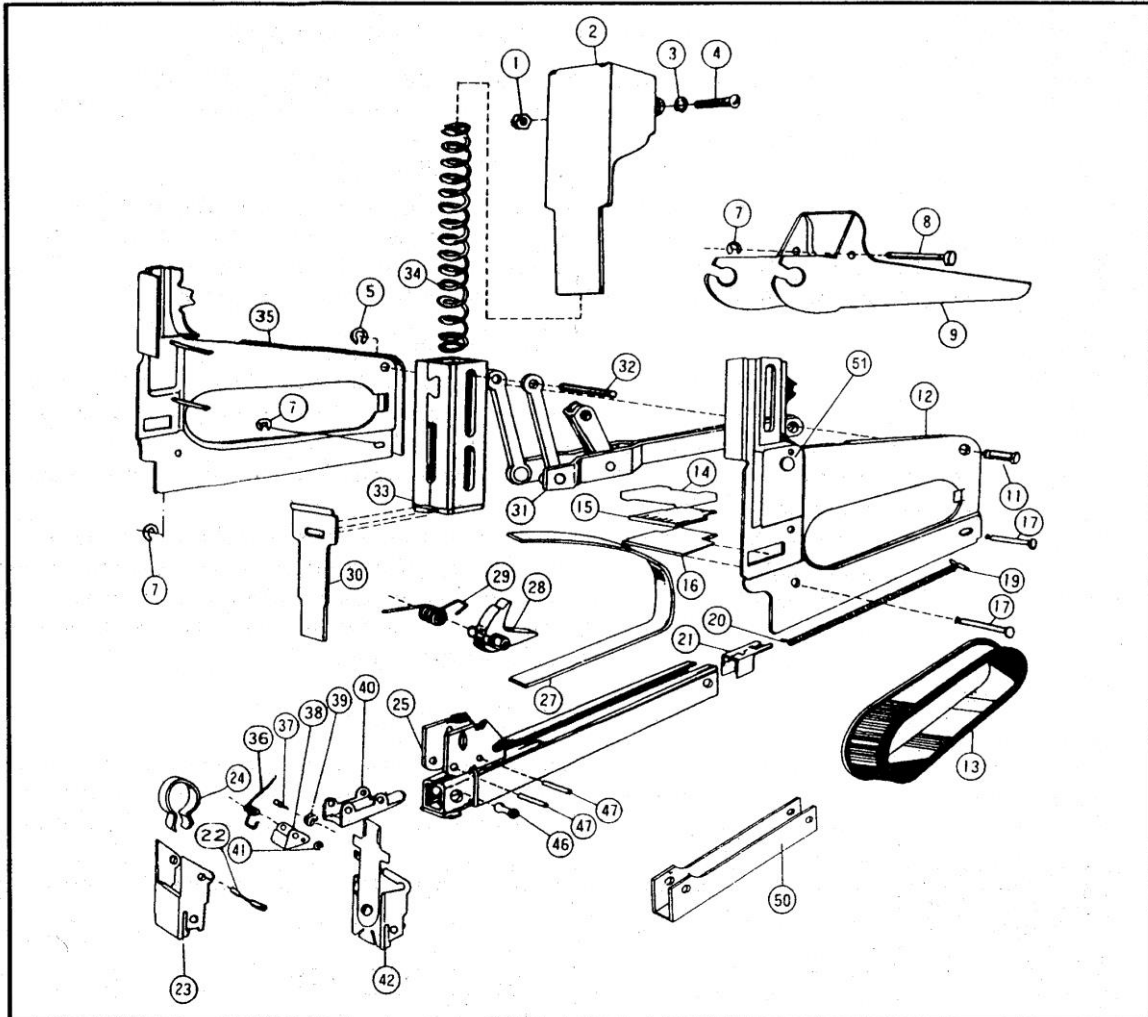


Teilleiste für EKAFIX-Tacker



- | | | |
|------------------------------|--|---------------------------------|
| 1 HN1032 NUT | 17 05506 CASE PIN | 33 06414 PLUNGER |
| 2 06411 CASE CAP, GRAY | 20 0615 PUSHER SPRING | 34 06417 PLUNGER SPRING |
| 4 UA3310.3 SCREW | 21 0682 PUSHER | 35 06565 BODY+PINS, RIGHT, GRAY |
| 5 85981 LARGE E-RING | 22 06447 DOOR PIVOT | 36 0607 ROLL STOP SPRING |
| 7 85018 SMALL E-RING | 23 06184 DOOR | 37 0614 ROLL STOP PIN |
| 8 05516 LEVER PIN | 24 06400 DOOR SPRING | 38 0613 STOP ROLL CAGE |
| 9 06437 OPERATING LEVER | 25 06142A CORE ASSEMBLY
(includes 20, 21, 36, 37, 38, 39, 40, 41) | 39 0612 STOP ROLL |
| 11 05507 PIVOT PIN | 27 06496 LEVER SPRING (2) | 40 0609 STAPLE SHIELD |
| 12 06566 BODY LEFT, GRAY | 28 T5007 PAWL | 41 0608 SPACER |
| 13 06450 GRIP | 29 06433 PAWL SPRING | 42 06190 OC DOOR |
| 14 06408 BUMPER | 30 06444 DRIVER | 46 06180 ROLL |
| 15 06407 TOP BUMPER PLATE | 31 06424 PLUNGER LINKAGE | 47 0606 RIVET |
| 16 06503 BOTTOM BUMPER PLATE | 32 06419 PLUNGER SPRING PIN | 50 06410(H) CASE SHOE, GRAY |
| | | 51 06608 LEVER RIVET |

