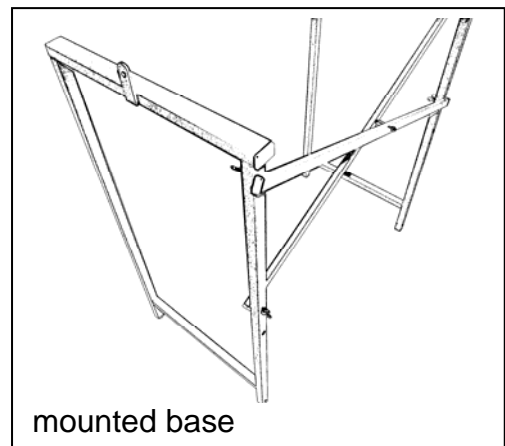
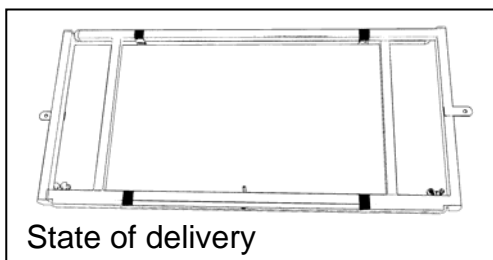


Operating instructions for EKAFIX cutting table

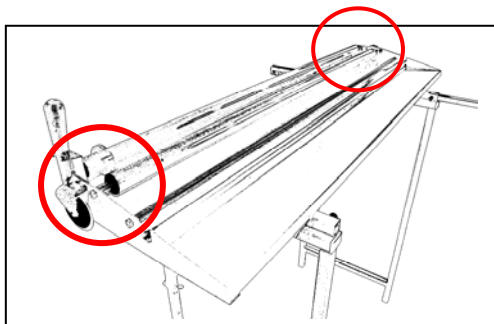
Put the EKAFIX cutting table on a level surface (table).

It can be worked more ergonomically and lighter if you use the original EKAFIX base for the table. The base is so constructed that the EKAFIX cutting table stands a little bit slantwise to the worker.

- 1 Screw together the base
(no tools necessary)

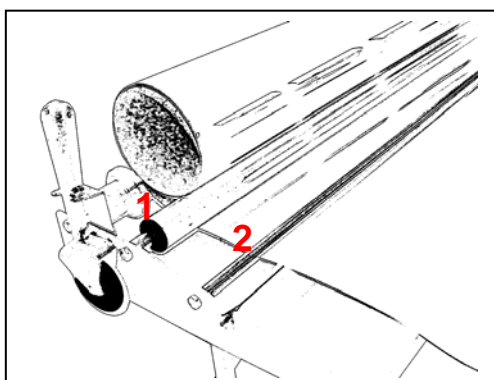


- 2 Prepare the cutting table



Adjust the rings on the waves (**red circle**) for the role-width. Solve the small screws on the rings, put the role simply between the 2 waves and push the rings in position. The rings should be positioned right and left of the foil-role, so that the role cannot move horizontally.

- 3 Put on the foil role



Lead the opened foil between the 2 waves (**1**) and under the foil-holder (**2**), so that the foil lies directly in the cutting slit.

Pull the foil up to the desire length, press the foil with one hand on the table and cut the foil with the EKAFIX rolling knife (see suitable operating instructions).

