

## DIRECTIONS FOR USE OF EKAFIX TACKERS „MARKWELL“

IMPORTANT-RETAIN FOR FUTURE REFERENCE

**WARNING:** KEEP FINGERS CLEAR OF STAPLE DISCHARGE AREA AT ALL TIMES; NEVER POINT STAPLE DISCHARGE AREA TOWARD FACE; WEAR SAFETY GLASSES.

### DIRECTIONS FOR USE

Use only Markwell L3 series staples (available in blue boxes) in Markwell L3 tackers- 'The Blue Tacker'; use only Markwell L4 series staples (available in grey boxes) in Markwell L4 tackers- 'The Grey Tacker'. Markwell brand tacker and staple tolerances are designed for optimum performance and the use of other types may lead to malfunction.

### TO LOAD AND OPERATE

**LOADING:** Slide loading door upward until unlocked and swing open-Fig 1. Slide staple pusher backwards about 1/4" until held by stop roll. Pointing away from face, slide stick of staples into core against pressure of the pusher-Fig 2. Close door by swinging back and downwards to lock. **NOTE:** For best function, avoid loading the tacker with more than one broken staple strip at a time.

**OPERATION:** With tacker resting flat on workpiece, position staple outlet at desired location. Fire staple by compressing the operating lever, at the same time raising the heel of the tacker so that there is downward pressure at the staple door as the staple is being driven-Fig 3. **CAUTION: NEVER OPERATE THE TACKER WITH THE DOOR OPEN OR WHEN NOT IN CONTACT WITH WORK SURFACE.**

### TO REMOVE STAPLES

Point tacker away from face, and open staple door. Grip exposed portion of staple strip with one hand, to prevent forcible ejection on release, press lower end of staple driver inwards with small screwdriver to release staple lock, and staples will be ejected by pusher.

**CAUTION:** Do not point toward face and control the ejection of the staple strip when releasing the staple lock! See Fig 4.

### TO CLEAR THE TACKER

Should tacker become jammed, grasp door sides firmly in one hand **KEEPING THE FINGERS CLEAR OF THE STAPLE OUTLET**, and with the other hand pull the operating lever upwards with enough force to withdraw the driver from the door-Fig 5. **DO NOT OPEN THE DOOR BEFORE WITHDRAWING THE DRIVER** as there is the danger that the driver, being wedged in the door, will bend or snap. After withdrawing the driver, the door should open readily. If not, tap lightly with a small hammer-Fig 6, which should be sufficient to permit opening of the door and removal of clogged staples:

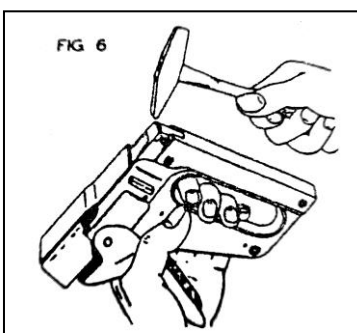
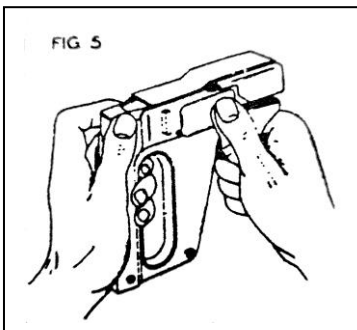
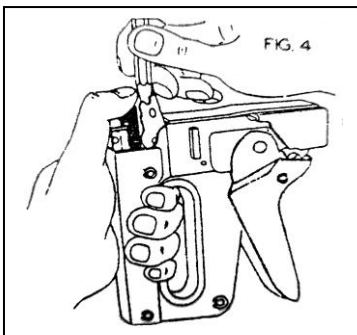
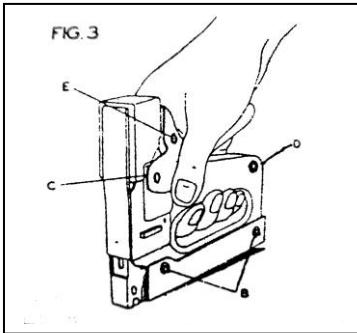
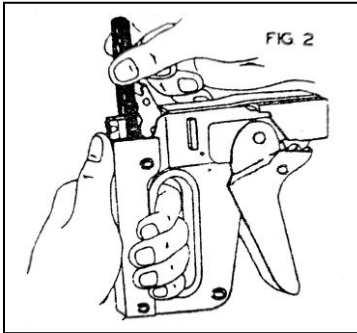
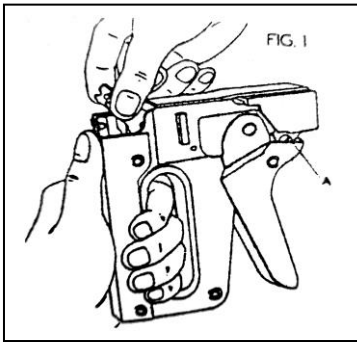
### COMPLETE DISASSEMBLY

Remove case cap screw-A, Fig 1

Remove core case studs-B, Fig 3, and case shoe

Remove operating lever link pivot-E, Fig 3, and operating handle, by spreading at C

Remove plunger lever pivot-C, Fig 3. The two case halves can now be separated and inside parts removed



Sebald Iso-Systeme GmbH&Co.KG  
 Bahnhofstr. 40-42, 93161 Sinzing, Germany  
 Tel. +49 941 30727 0  
 Email: info@isosystems.de  
 www.isosysteme.de